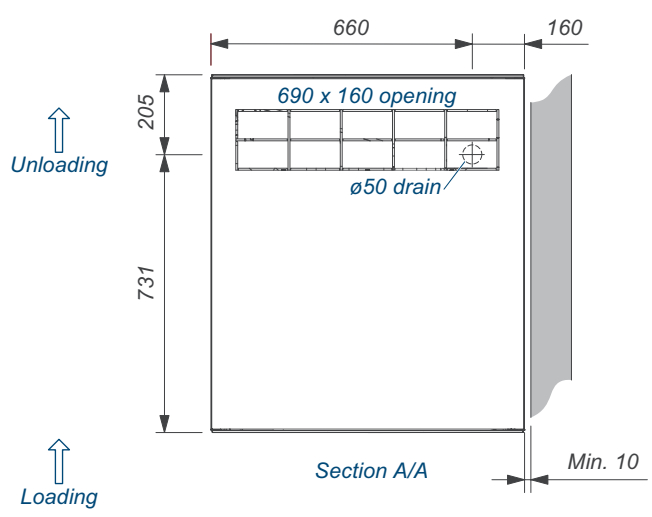
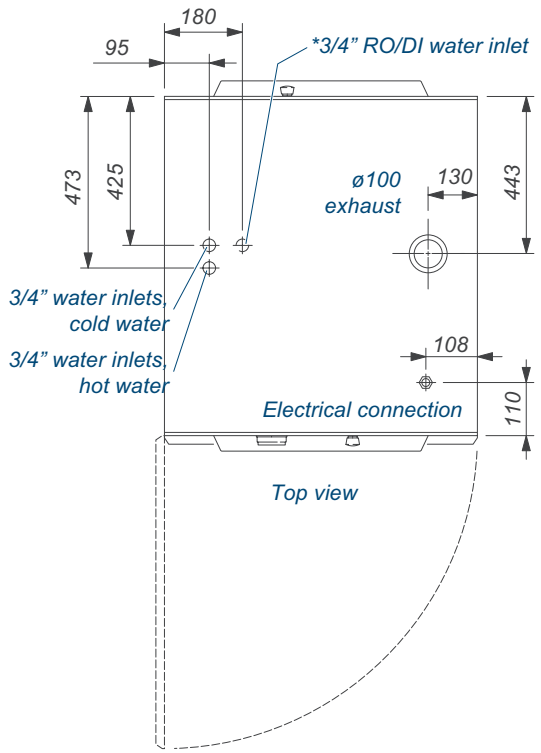
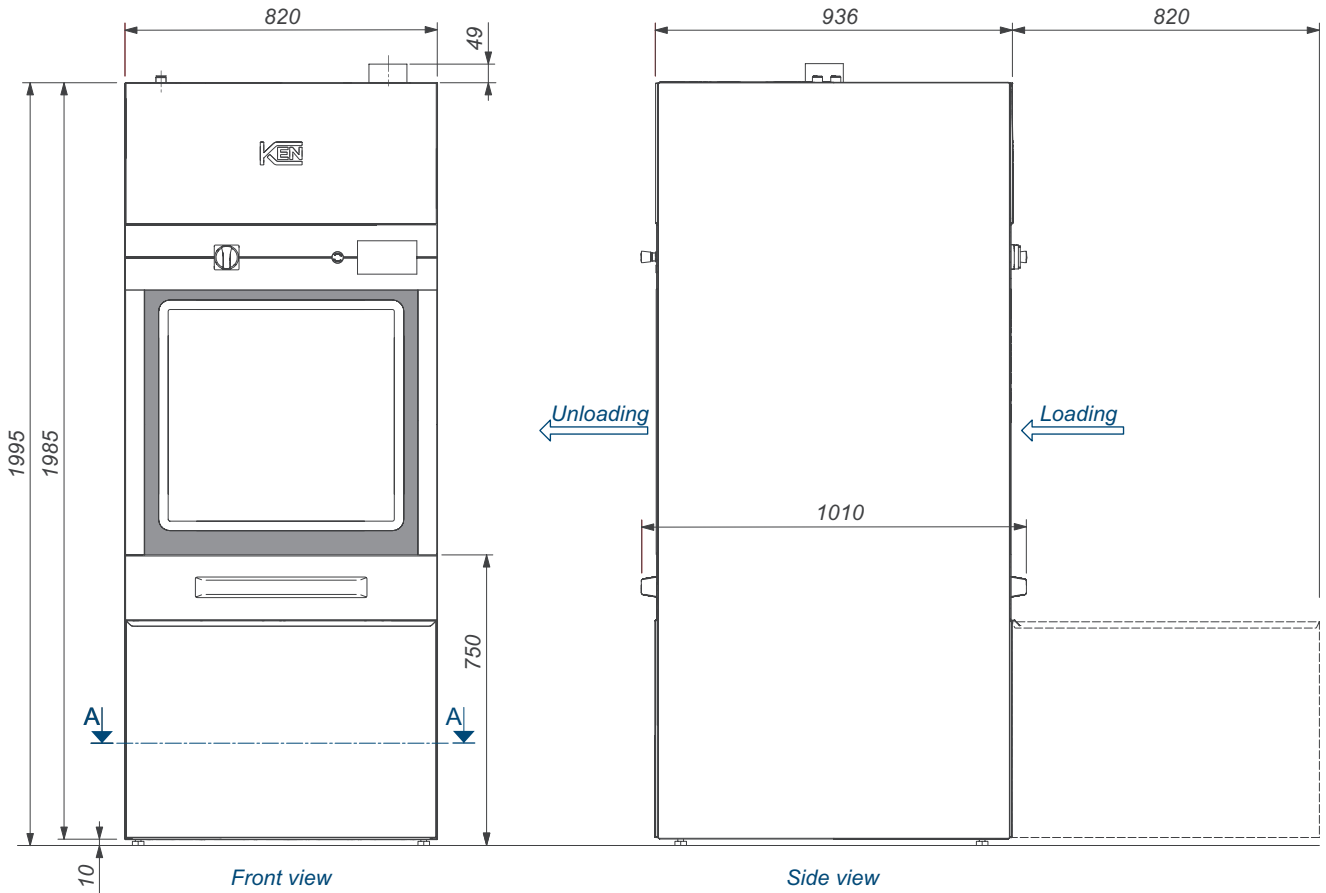
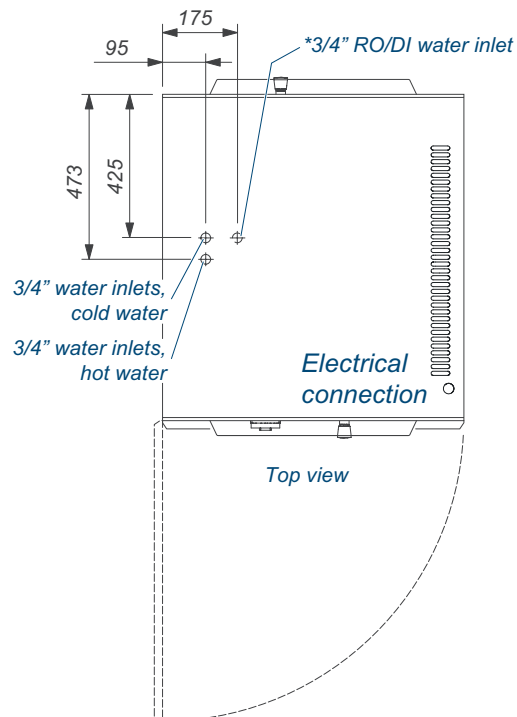
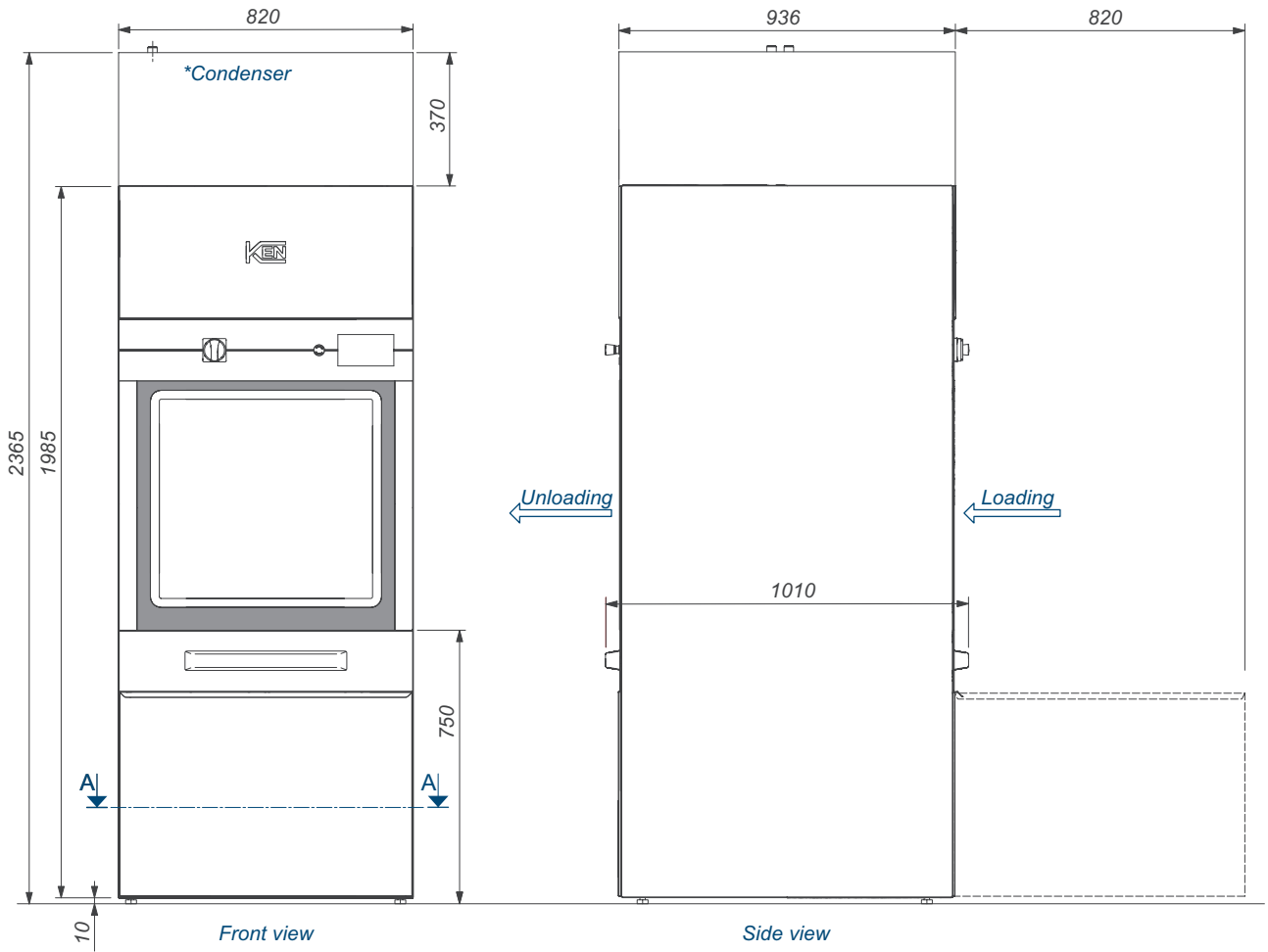


Dimensional sketch



**Optional features*
Measurements in millimeters

Dimensional sketch - Condenser



*Optional features

Measurements in millimeters