



KEN HYGIENE SYSTEMS®



INTELLIGENT DISINFECTION

Equipment

THE KEN IQ HEALTHCARE SERIES

Clean, Lean & Green





Intelligent solutions

- The future of effective disinfection



Equipment for KEN IQ4, IQ5 and IQ6

The large range of flexible loading equipment available for the KEN IQ series is designed to meet the requirements for cleaning and disinfecting instruments and equipment in hospitals.

The machine is the obvious choice for washing, disinfection and drying in healthcare facilities. Find all the available loading equipment for the KEN IQ series in this catalogue.

Combine the various loading equipment to suit your specific need. The combination of loading equipment makes it possible to wash and disinfect all types of instruments and equipment.

For further information about customized special solutions, please contact KEN.

IQ4

Loading racks	PAGE 4-5
Modules and support	PAGE 6-7
Distributors	PAGE 8-9
Injectors & Nozzles	PAGE 10-11
Other accessories	PAGE 12-13

IQ5

Loading racks	PAGE 14-16
Modules and support	PAGE 17-19
Distributors	PAGE 20-21
Injectors & Nozzles	PAGE 22-29
Other accessories	PAGE 30-31

IQ6

Loading racks	PAGE 32-35
Modules and support	PAGE 36-38
Distributors	PAGE 39-43
Injectors & Nozzles	PAGE 44-49
Other accessories	PAGE 50-51

TROLLEYS

Manual and aut. loading trolleys	PAGE 52-53
----------------------------------	------------



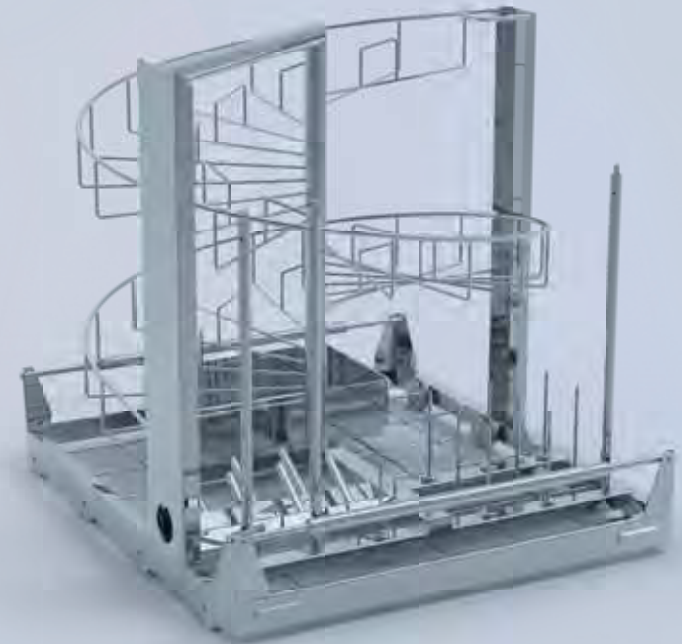
IQ4 Rack. 2 level. ref. 2928604



IQ4 Rack. 4 level. ref. 2928169



IQ4 Flexible rack. 3 level. ref. 2928464



Anaesthesia rack. 3 level. ref. 2928215

IQ4 RACKS

The rack for KEN IQ4 is designed in stainless steel. It is fitted with a top load indicator, so that the equipment is not damaged when it is pushed into the washing chamber. It is aligned with 8 wheels that ensures a smooth, silent and safe transportation in and out of the washing chamber.

IQ4 MODULES AND SUPPORT

The modules for the base rack are designed for the general or specific need. The idea of using modules for the base rack is to avoid heavy lifting and thus ensure the best possible ergonomic work environment for the user. The modular system also creates a great flexibility in terms of changing to a different load of goods. Furthermore the modular system ensures that you can easily adapt to the future if you should have a change in the daily routines.



MIS MODULE
24 connections for 4 level racks

MIS module 24 connections
w/o nozzles for 4 levels rack
14 nozzles to be defined.
ref. 2908375



MIS MODULE
24 connections for 3 level racks

MIS module 24 connections
w/o nozzles for 3 levels rack
14 nozzles to be defined.
ref. 2908486



FINE FILTER MODULE
For Dental and Ophthal units

Fine filter module for Dental and Ophthal units w/o units for 4 levels rack.
ref. 2908539



SUPPORT OP-SHOES
12 pcs for 2 and 3 level racks

Support for 12 pcs OP-shoes, 1 per level for 2 and 3 levels rack.
ref. 2928247



SUPPORT BASKET
For 6 washing bowls

Support for 6 washing bowls for 2, 3 and 4 levels racks.
ref. 2928228



DENTAL UNIT

8 pcs Ø16

Dental unit for 2908539 8 pcs Ø16
adapters. 2 units per module.
ref. 2908432



DENTAL UNIT

8 pcs Ø20

Dental unit for 2908539 8 pcs Ø20
adapters. 2 units per module.
ref. 2908506



DENTAL UNIT

4 pcs Ø16, 4 pcs Ø20

Dental unit for 2908539 4 pcs Ø16
and 4 pcs Ø20. 2 units per module.
ref. 2908508



OPHTHAL UNIT
2 units per module

Ophthal unit for 2908539. 2 units per module. ref. 2908519



MIS UNIT
10 connections

MIS unit for fine filter module. 10 connections w/o nozzles. 2 units per module. ref. 2908640

IQ4 DISTRIBUTORS

The distributors are designed to give optimum flexibility. It comes in two types. Either with fixed spikes or with threaded connections for holders. This gives the possibility to optimize the flexibility. The rack or module can be equipped with specialised distributors.

The flexibility makes IT EASY to adapt for a different lot of goods. Unlike other racks you only change or apply one or maybe two distributors and your interior rack design changes completely. This procedure is easily done and without heavy lifting of any kind. Furthermore the hospital saves a lot of storage space, as the rack design is so flexible. Thus you only need one rack and a few extra distributors to be able to accommodate a great variety of surgical instruments and other equipment.

IQ4 INJECTORS & NOZZLES

The injectors from KEN HYGIENE SYSTEMS are always delivered with nozzles. These injectors and nozzles serve several purposes. Among other purposes it serves to ensure that the water spreads correctly. Due to continued testing our R&D constantly developed and improve the functionality of the nozzles.

The nozzle also helps protect the instruments from damage. The nozzles are made of stainless steel and the nozzle then shields the instruments from the steel. The nozzle is also designed in a way that creates space between the spike and the instruments.



BASIC NOZZLE - LONG

Basic nozzle, long, (grommet) for tubular instruments, max Ø13 mm. Sleeve length 55 mm. for MIS rack and modules.
ref. 2900807



BASIC NOZZLE - SHORT

Basic nozzle, short, (grommet) for tubular instruments, max Ø13 mm. Sleeve length 27 mm. for MIS rack and modules.
ref. 2900808



INJECTOR NOZZLE Ø2,6

Injector nozzle Ø2,6 (grommet)
Length 50 mm. for MIS rack and
modules.
ref. 2908441



INJECTOR NOZZLE CLOSED

Injector nozzle Ø4 closed top
(grommet) Length 120 mm. for MIS
rack and modules.
ref. 2908426



INJECTOR NOZZLE OPEN

Injector nozzle Ø4 open top
(grommet) Length 120 mm. for
MIS rack and modules.
ref. 2908428

IQ4 - OTHER ACCESSORIES

KEN is always developing and adapting to the world surrounding us. Therefore we also have a continuous development of accessories. To the right you will find the most common and likely to be of your interest.

We strive to always be up to date with our product program we are always designing our accessories to be compatible with existing holders and spikes. If in any doubt, please do not hesitate to seek out counselling and contact our experts at KEN Healthcare.

1



2



3



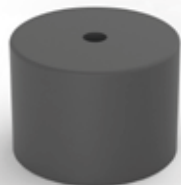
4



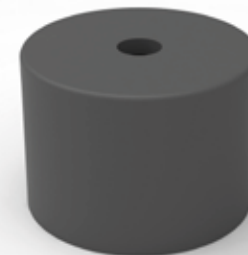
5



6



7



8



9



1: Blindplug. ref. 2901020
 2: Kit for instruments support. ref. 2908554
 3: Caps for basic nozzle Ø3-Ø8. ref. 2900802

4: Caps for basic nozzle Ø6-Ø11. ref. 2900803
 5: Caps for basic nozzle Ø2. ref. 2900804
 6: Caps for basic nozzle Ø3. ref. 2900805

7: Caps for basic nozzle Ø4. ref. 2900806
 8: Loading/Unloading arm for racks. "assistant" for loading and unloading. ref. 2908556
 9: Manual loading trolley. ref. 2928117



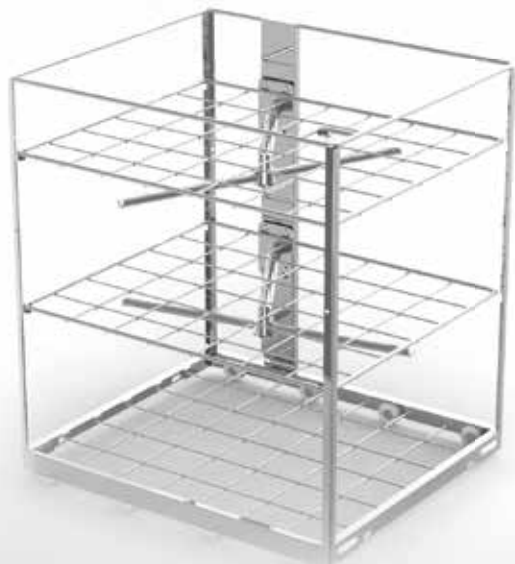
RACK
Rack for washing in 4 levels
ref. 2908022



RACK
Rack for washing in 5 levels
ref. 2908019



RACK
Rack for washing in 6 levels
ref. 2908009



FLEXIBLE RACK
for washing in 3 levels
ref. 2908464



FLEXIBLE RACK
for washing in 4 levels
ref. 2908169



FLEXIBLE RACK
for washing in 5 levels
ref. 2908161

IQ5 RACKS

The rack for KEN IQ5 is designed in stainless steel. It is fitted with a top load indicator, so that the instruments are not damaged when it is pushed into the washing chamber. It is aligned with 8 wheels that ensures a smooth, silent and safe transportation in and out of the washing chamber.

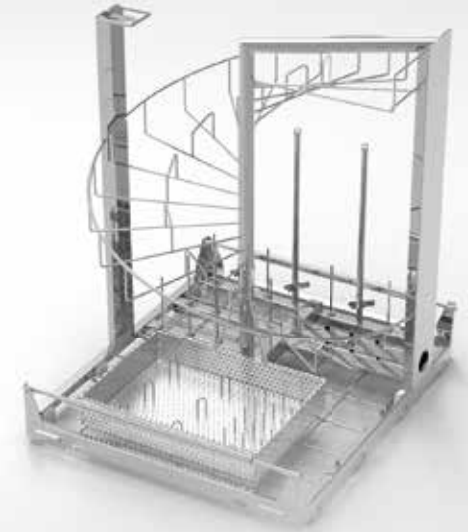
It is designed to wash in up to 6 levels. All levels has internal washing and drying. The shelves can be equipped with modules, distributors and injectors that you will find on the next pages. Every injector is connected not only to the internal water pump system for washing but also to the hot air blower motor, so every piece of equipment will be washed and dried as well form the inside as the outside.



MIS RACK
MIS rack complete for IQ5, with grommets.
ref. 2908192



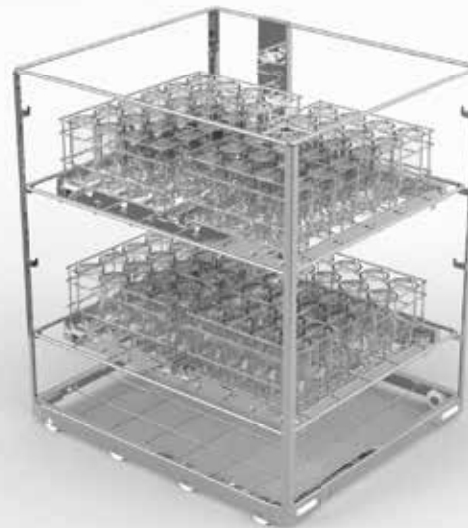
MIS RACK
MIS rack without nozzles and grommets.
ref. 2908461



ANAESTHESIA RACK
Anaesthesia rack complete for IQ5, 4 sets.
ref. 2908215



RACK
Rack for 96 Babybottles 250 ml.
ref. 2908361



RACK
Rack for 96 Babybottles 125 ml.
ref. 2908362



DA VINCI RACK
Da Vinci rack without holders Si, Xi.
ref. 2908264

IQ5 MODULES AND SUPPORT

The modules for the base rack are designed for the general or specific need. The idea of using modules for the base rack is to avoid heavy lifting and thus ensure the best possible ergonomic work environment for the user. The modular system also creates a great flexibility in terms of changing to a different load of goods. Furthermore the modular system ensures that you can easily adapt to the future if you should have a change in the daily routines.



SUPPORT FOR
16 OP-shoes

Support for 16 OP-shoes / 2 per
rack for 5 and 4 levels flexible rack
ref. 2908247



FINE FILTER MODULE
For Dental and Ophthal units

Fine filter module for Dental and
Ophthal units w/o units for 5
levels rack.
ref. 2908539

IQ5 MODULES AND SUPPORT

The modules for the base rack are designed for the general or specific need. The idea of using modules for the base rack is to avoid heavy lifting and thus ensure the best possible ergonomic work environment for the user. The modular system also creates a great flexibility in terms of changing to a different load of goods. Furthermore the modular system ensures that you can easily adapt to the future if you should have a change in the daily routines.



MIS MODULE

24 connections for 5 level racks

MIS module 24 connections w/o
nozzles grommet for 5 level flex.
rack 14 nozzles to be defined.
ref. 2908375



MIS MODULE

24 connections for 4 level racks

MIS module 24 connections w/o
nozzles grommet for 4 level flex.
rack 14 nozzles to be defined.
ref. 2908486



KIT FOR CLEANING

Kit for cleaning power tools Stryker
or Colibri for MIS rack
ref. 2908314



SUPPORT FOR 4 washing bowls

Support for 4 washing bowls
/ 2 per level for 5 and 4 levels
flexible rack
ref. 2908228



SUPPORT FOR 6 kidney bowls

Support for 6 kidney bowls / 2 per
level for 5 and 4 levels flexible rack
ref. 2908239



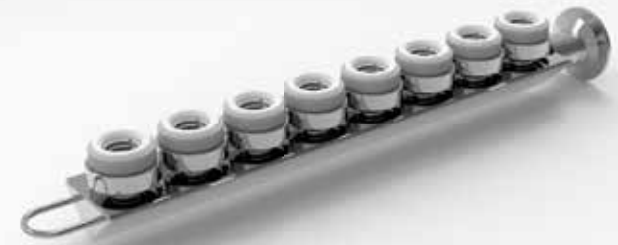
MIS UNIT
10 connections

MIS unit 10 connections w/o nozzles
grommet for fine filter module.
ref. 2908640



DENTAL UNIT
8 pcs Ø16

Dental unit for 2908539. 8 pcs Ø16
adapters. 2 units per module.
ref. 2908432



DISTRIBUTOR UNIT
8 pcs Ø20

Dental unit for 2908539. 8 pcs Ø20
adapters. 2 units per module.
ref. 2908506



DENTAL UNIT

4 pcs Ø16 and 4 pcs Ø20

Dental unit for 2908539. 4 pcs Ø16 and 4 pcs Ø20. 2 units per module. ref. 2908508



OPHTHAL UNIT

2 units per module

Ophthal unit for 2908539. 2 units per module. ref. 2908519

IQ5 DISTRIBUTORS

The distributors are designed to give optimum flexibility. It comes in two types. Either with fixed spikes or with threaded connections for holders. This gives the possibility to optimize the flexibility. The rack or module can be equipped with specialised distributors.

The flexibility makes it easy to adapt for a different lot of goods. Unlike other racks you only change or apply one or maybe two distributors and your interior rack design changes completely. This procedure is easily done and without heavy lifting of any kind. Furthermore the hospital saves a lot of storage space, as the rack design is so flexible. Thus you only need one rack and a few extra distributors to be able to accommodate a great variety of surgical instruments and other equipment.

IQ5 INJECTORS & NOZZLES

The injectors from KEN HYGIENE SYSTEMS are always delivered with nozzles. These injectors and nozzles serve several purposes. Among other purposes it serves to ensure that the water spreads correctly. Due to continued testing our R&D constantly developed and improve the functionality of the nozzles.

The nozzle also helps protect the instruments from damage. The nozzles are made of stainless steel and the nozzle then shields the instruments from the steel. The nozzle is also designed in a way that creates space between the spike and the instruments.



BASIC NOZZLE - LONG

Basic nozzle, long, (grommet) for tubular instruments, max Ø13 mm. Sleeve length 55 mm. for MIS rack and modules.
ref. 2900807



BASIC NOZZLE - SHORT

Basic nozzle, short, (grommet) for tubular instruments, max Ø13 mm. Sleeve length 27 mm. for MIS rack and modules.
ref. 2900808



INJECTOR NOZZLE Ø2,6

Injector nozzle Ø2,6 (grommet)
Length 50 mm. for MIS rack and
modules.
ref. 2908441



INJECTOR NOZZLE CLOSED

Injector nozzle Ø4 closed top
(grommet) Length 120 mm. for MIS
rack and modules.
ref. 2908426



INJECTOR NOZZLE OPEN

Injector nozzle Ø4 open top
(grommet) Length 120 mm. for
MIS rack and modules.
ref. 2908428



NOZZLE Ø4 CLOSED

Injector nozzle screw Ø4 closed
for old MIS rack and module with
screw. ref. 2908283



NOZZLE Ø4

Injector nozzle screw Ø4 for
old MIS rack and module with
screw.
ref. 2908364



NOZZLE Ø2,6

Injector nozzle screw Ø2,6 for old
MIS rack and module with screw.
ref. 2908439



UNIVERSAL NOZZLE

Nozzle universal screw for tubular instruments for old MIS rack and module with screw.
ref. 2908184



BASIC NOZZLE

Basic nozzle screw for tubular instruments for old MIS rack and module with screw.
ref. 2900469



DENTAL NOZZLE

Dental nozzle $\varnothing 16$
ref. 2908303



DENTAL NOZZLE Ø20

Dental nozzle Ø20.
ref. 2908304



INJECTOR SPIKES Ø4

Injector spikes for tubes Ø4 for
Anaesthesia rack.
ref. 2908255



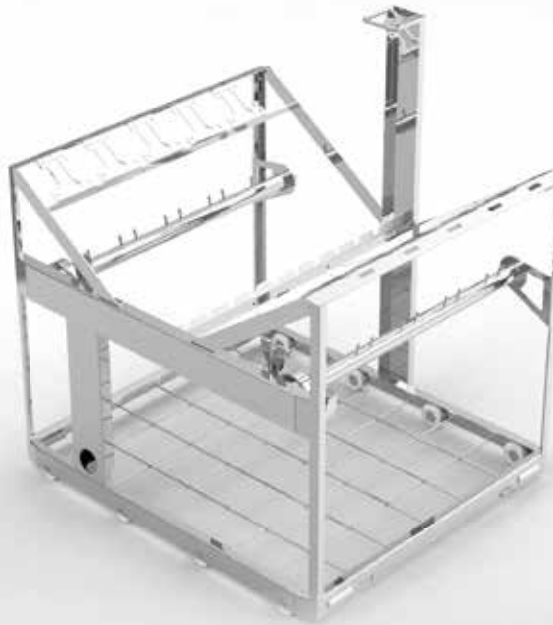
SPIKE FOR RESPIRATOR

Spike (screw) for respirator bellow
for Anaesthesia rack.
ref. 2908265



OPHTHAL NOZZLE

Ophthal nozzle fine mesh filter.
ref. 2908373



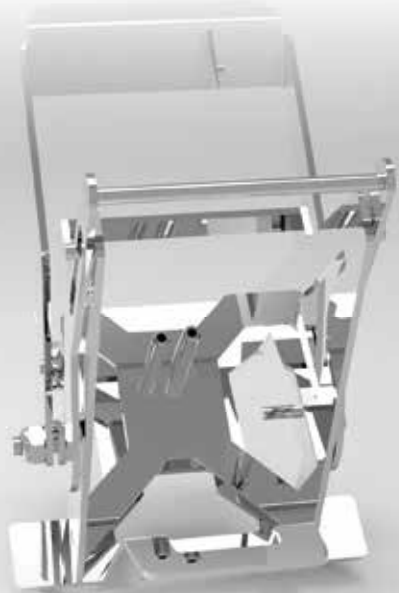
DA VINCI RACK

Da Vinci rack without holders Si, Xi
ref. 2908264



DA VINCI SI HOLDERS

Da Vinci Si holder 8/5 mm.
10 holders per rack.
ref. 2908319



DA VINCI XI

Da Vinci Xi holder 8 mm and single site instrument. 10 holders per rack.
ref. 2908325



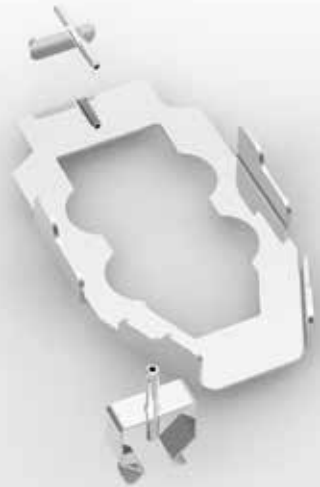
DA VINCI XI

Da Vinci Xi stapler holder.
10 holders per rack.
ref. 2908329



DA VINCI SINGLE SITE

Da Vinci single site holder.
10 holders per rack.
ref. 2908323



DA VINCI SI

Da Vinci Si stapler holder.
10 holders per rack.
ref. 2908331



The Da Vinci rack can be fitted
with different holders according
to your need

IQ5 - OTHER ACCESSORIES

KEN HYGIENE SYSTEMS is always developing and adapting to the world surrounding us. Therefore we also have a continuous development of accessories. To the right you will find the most common and lightly to be of your interest.

We strive to always be up to date with our product program. We are always designing our accessories to be compatible with existing holders and spikes. If in any doubt, please do not hesitate to seek out counseling and contact our experts at KEN Healthcare.

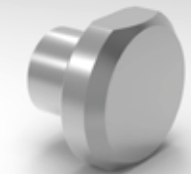
1



2



3



- 1: Loading/Unloading arm. "assistant" for loading/unloading of racks. ref. 2908556
- 2: Blind plug for unused injector positions (grommet). For MIS rack and modules. ref. 2901020
- 3: Blind plug for unused injector positions (screw). ref. 2901019

4



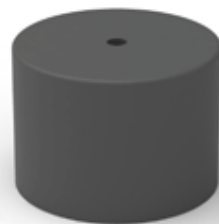
5



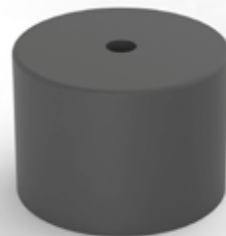
6



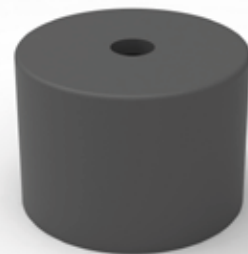
7



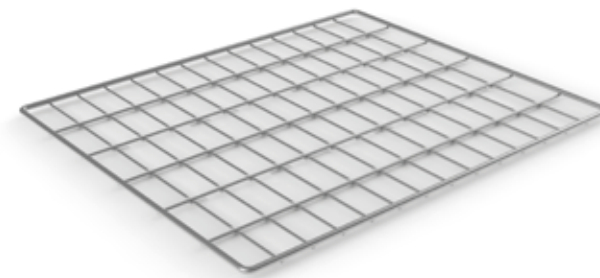
8



9



10



11



12



4: Grommet for connecting MIS nozzle/injector for MIS rack and modules. ref. 2900811

5: Caps for basic nozzle Ø3-Ø8. ref. 2900802

6: Caps for basic nozzle Ø6-Ø11. ref. 2900803

7: Caps for basic nozzle Ø2. ref. 2900804

8: Caps for basic nozzle Ø3. ref. 2900805

9: Caps for basic nozzle Ø4. ref. 2908006

10: Fine mesh grate for racks. ref. 2908469

11: Kit for instruments support. ref. 2908554

12: Manual loading trolley. ref. 2908117



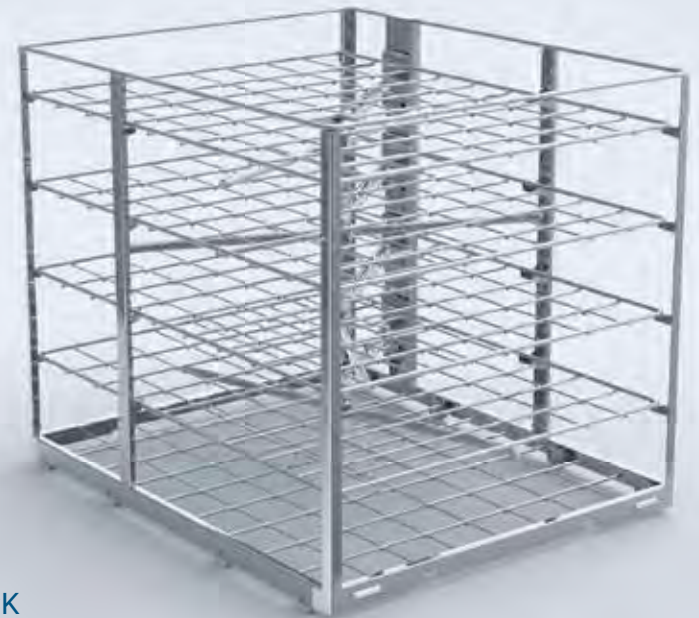
RACK
Rack 5 levels FlexPlus (M8x1)
ref. 2918524



FLEXIBLE RACK
For washing in 3 levels.
ref. 2918464



FLEXIBLE RACK
Flexible Rack for washing in 4 levels
ref. 2918169

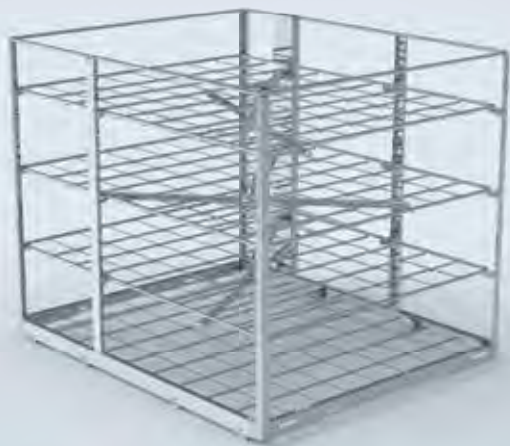


FLEXIBLE RACK
Flexible Rack for washing in 5 levels
ref. 2918161

IQ6 RACKS

The rack for KEN IQ6 is designed in stainless steel. It is fitted with a top load indicator, so that the instruments are not damaged when it is pushed into the washing chamber. It is aligned with 8 wheels that ensures a smooth, silent and safe transportation in and out of the washing chamber.

It is designed to wash up to 6 levels in 4 different positions. Each level is split in two parts which allows for washing in up to 4 levels. Both levels has internal washing and drying. The shelves can be equipped with modules, distributors and injectors that you will find on the next pages. Every injector is connected not only to the internal water pump system for washing but also to the hot air blower motor, so every instrument or equipment will be washed and dried as well from the inside as the outside.



RACK
Rack for washing in 4 levels
ref. 2918022



RACK
Rack for washing in 5 levels
ref. 2918019



RACK
Rack for washing in 6 levels
ref. 2918009



MIS RACK
MIS rack complete, grommet. Incl. 56 basic nozzles
ref. 2918192



MIS RACK
MIS rack without nozzles, grommet
ref. 2918461



ANAESTHESIA RACK
Anaesthesia rack complete
ref. 2918215



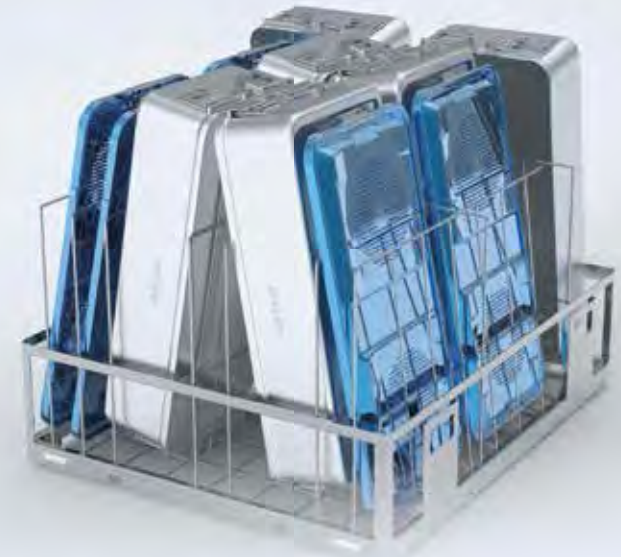
DA VINCI RACK

Da Vinci rack without holders Si, Xi. 4 containers. ref. 2918264

In the above example the rack is fitted with various holders and a RIFD READER. The capacity of this rack is 14 holders.



Container rack 600x300x300. ref. 2918200



Container rack 600x300x150. ref. 2918199

IQ6 MODULES AND SUPPORT

The modules for base rack are designed for the general or specific need. The idea of using modules for base rack is to avoid heavy lifting and thus ensure the best possible ergonomic work environment for the user. The module system also creates a great flexibility in terms of changing to a different load of goods. Furthermore the module system ensures that you can easily adapt to the future if you should have a change in the hospital routine.

The modules for IQ6 is $\frac{1}{2}$ width of the rack. In this way one side of the rack can be equipped with 2 or 3 modules while the other side washes taller instruments that needs more space in the height. This allows you to use the same rack for all the different equipment. Thus the most flexible solution possible.



MIS MODULE

24 connections for 5 level racks

MIS module 24 connections w/o
nozzles grommet for 5 level flex.
rack 14 nozzles to be defined.
ref. 2908375



MIS MODULE

24 connections for 4 level racks

MIS module 24 connections w/o
nozzles grommet for 4 level flex.
rack 14 nozzles to be defined.
ref. 2908486



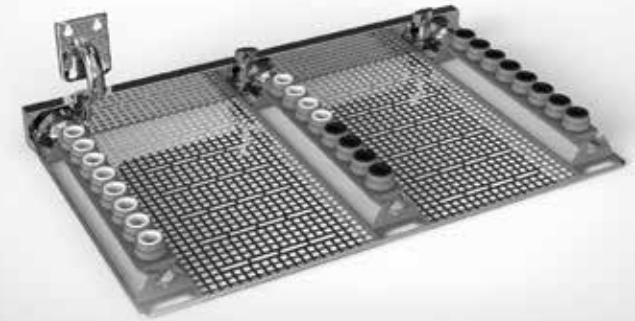
MIS UNIT
10 connections

MIS unit for fine filter module
2918539.10 connections w/o
nozzles.
ref. 2908640



KIT FOR CLEANING

Kit for cleaning power tools Stryker
or Colibri for MIS rack
ref. 2908314



MODULE FOR
Dental- and ophthal units

Module for dental- and ophthal units
w/o units for 5 levels flex. rack. An
exampel to show the full capacity.
ref. 2918539



SUPPORT FOR
4 washing bowls

Support for 4 washing bowls/ 3 per
level for 5 and 4 levels flexible racks.
ref. 2908228



SUPPORT FOR
6 kidney bowls

Support for 6 kidney bowls/3 per
level for 5 and 4 levels flexible racks.
ref. 2908239



SUPPORT FOR
Support for 9 OP-shoes

Support for 9 OP-shoes / per
rack.
ref. 2918247



Modules are designed to give a wide range of washing solutions and a lot of flexibility



INJECTOR SPIKES Ø4

Injector spikes for tubes Ø4 for
Anaesthesia rack.
ref. 2908255



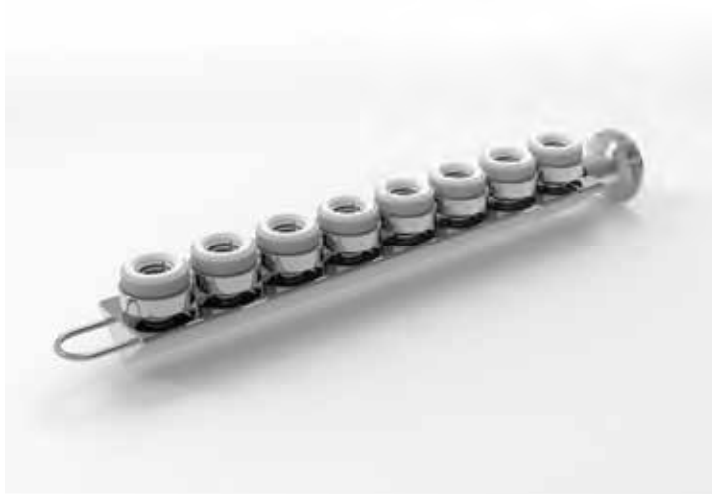
SPIKE FOR RESPIRATOR

Spike for respirator bellow for
Anaesthesia rack.
ref. 2908265



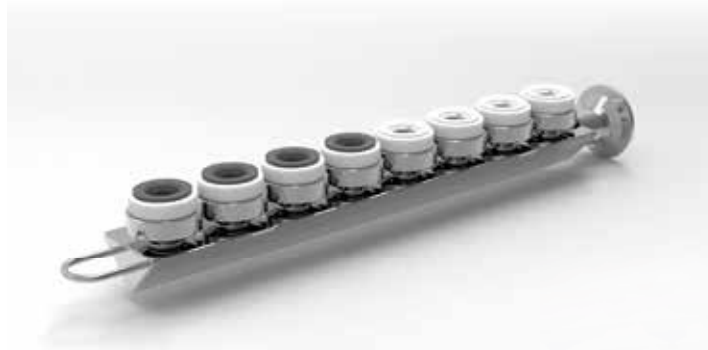
DENTAL UNIT Ø16

Dental unit for 2918539. 8 pcs Ø16
adapter. 3 units per module.
ref. 2908432



DENTAL UNIT Ø20

Dental unit for 2918539 8 pcs
Ø20 adapter. 3 units per module.
ref. 2908506



DENTAL UNIT Ø16/Ø20

Dental unit for 2918539 4 x Ø16
and 4 x Ø20. 3 units per module
ref. 2908508



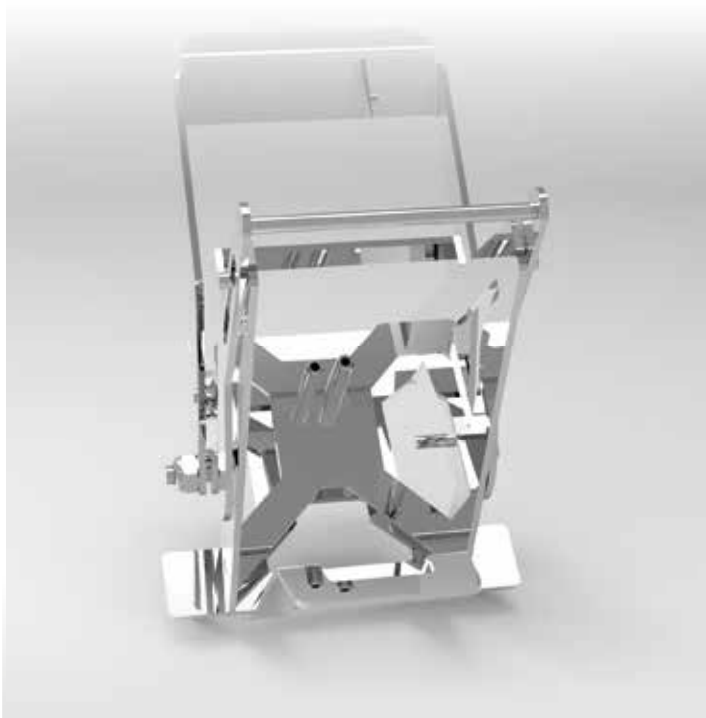
OPHTHAL UNIT

Ophthalmal unit for 2918539. 3 units
per module.
ref. 2908519



DA VINCI SI HOLDER
8/5 mm

Da Vinci Si holder 8/5 mm 10/rack.
14 holders per rack. ref. 2908319



DA VINCI XI

Da Vinci Xi holder 8 mm and single
site instrument. 14 holders per rack.
ref. 2908325



DA VINCI XI

Da Vinci Xi stapler holder.
14 holders per rack.
ref. 2908329



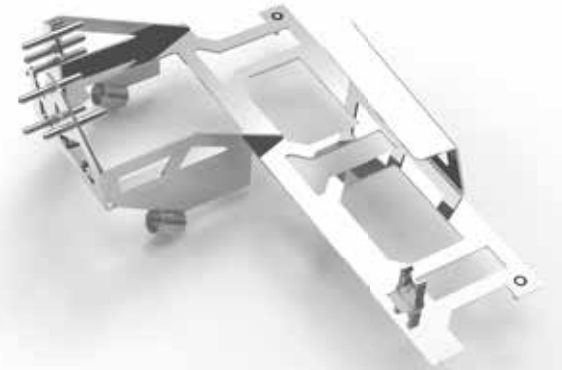
DA VINCI SINGLE SITE

Da Vinci single site holder.
14 holders per rack.
ref. 2908323



DA VINCI SI

Da Vinci Si stapler holder.
14 holders per rack.
ref. 2908331



DA VINCI XI OPTICS

Da Vinci XI Optics holder / Scopeholder.
4 holders per rack
ref. 2918533

IQ6 INJECTORS & NOZZLES

The injectors from KEN HYGIENE SYSTEMS are always delivered with nozzles. These injectors and nozzles serve several purposes. Among other purposes it serves to ensure that the water spreads correctly. Due to continued testing our R&D constantly developed and improve the functionality of the nozzles.

The nozzle also helps protect the instruments from damage. The nozzles are made of stainless steel and the nozzle then shields the instruments from the steel. The nozzle is also designed in a way that creates space between the spike and the instruments.



BASIC NOZZLE - LONG

Basic nozzle, long, (grommet) for tubular instruments, max Ø13 mm. Sleeve length 55 mm. for MIS rack and modules.
ref. 2900807



BASIC NOZZLE - SHORT

Basic nozzle, short, (grommet) for tubular instruments, max Ø13 mm. Sleeve length 27 mm. for MIS rack and modules.
ref. 2900808



INJECTOR NOZZLE Ø2,6

Injector nozzle Ø2,6 (grommet)
Length 50 mm. for MIS rack and
modules.
ref. 2908441



INJECTOR NOZZLE CLOSED

Injector nozzle Ø4 closed top
(grommet) Length 120 mm. for MIS
rack and modules.
ref. 2908426



INJECTOR NOZZLE OPEN

Injector nozzle Ø4 open top
(grommet) Length 120 mm. for
MIS rack and modules.
ref. 2908428



NOZZLE Ø4 CLOSED

Injector nozzle screw Ø4 closed
for old MIS rack and module with
screw. ref. 2908283



NOZZLE Ø4

Injector nozzle screw Ø4 for
old MIS rack and module with
screw.
ref. 2908364



NOZZLE Ø2,6

Injector nozzle screw Ø2,6 for old
MIS rack and module with screw.
ref. 2908439



UNIVERSAL NOZZLE

Nozzle universal screw for tubular instruments for old MIS rack and module with screw.
ref. 2908184



BASIC NOZZLE

Basic nozzle screw for tubular instruments for old MIS rack and module with screw.
ref. 2900469



DENTAL NOZZLE

Dental nozzle Ø16
ref. 2908303

IQ6 INJECTORS & NOZZLES

The jet spikes from KEN HYGIENE SYSTEMS are always delivered with nozzles. These nozzles serves several purposes. Among other purposes it serves to ensure that the water spreads correctly. Do to continuance testing our R&D has developed a new nozzle that performs the perfect spread of water and also contributes with a support of mechanical power to the spray of water that contributes to the best cleaning result.

The nozzle also helps protect the glassware to be damaged. The spikes are made of stainless steel and the nozzle then shields the glassware from the steel. The nozzle is also designed in a way that creates space between the spike and the glass.



DENTAL NOZZLE Ø20

Dental nozzle Ø20.
ref. 2908304



OPHTHAL NOZZLE

Ophthal nozzle fine mesh filter.
ref. 2908373



IQ6 - OTHER ACCESSORIES

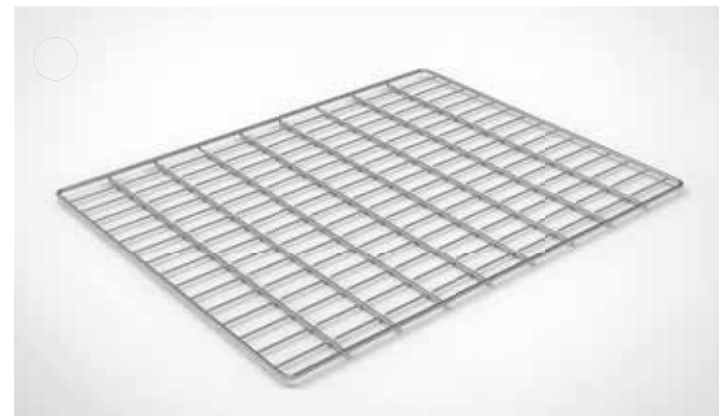
KEN is always developing and adapting to the world surrounding us. Therefore we also have a continuous development of accessories. To the right you will find the most common and lightly to be of your interest.

We strive to always be up to date with our product program and even though we are pioneering the market of glassware washers with the IQ series, we are still designing our accessories to be compatible with existing holders and spikes. If in any doubt, please do not hesitate to seek out counseling and contact our experts at KEN Life Science.

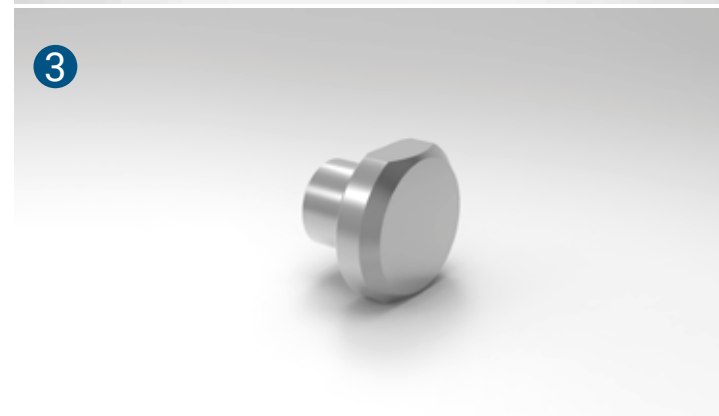
1



2



3

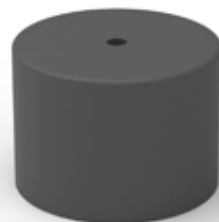


- 1: Loading/Unloading arm. "assistant" for loading/unloading of racks. ref. 2908556
- 2: Fine mesh grate for rack. ref. 2918469
- 3: Blind plug for unused injector positions (screw). ref. 2901019

4



7



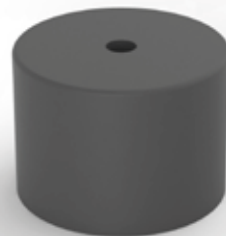
10



5



8



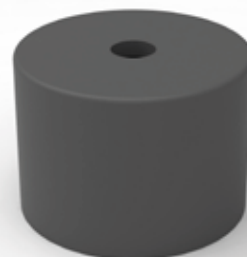
11



6



9



12



4: Kit for instruments support. ref. 2908554
 5: Caps for basic nozzle Ø3-Ø8. ref. 2900802
 6: Caps for basic nozzle Ø6-Ø11. ref. 2900803

7: Caps for basic nozzle Ø2. ref. 2900804
 8: Caps for basic nozzle Ø3. ref. 2900805
 9: Caps for basic nozzle Ø4. ref. 2908006

10: Automatic loading table.
 ref. 7609901
 11: Automatic unloading table.
 ref. 7609902
 12: Automatic elevation transport trolley.
 ref. 7609529



HEIGHT ADJUSTABLE
TROLLEY

Height adjustable Trolley IQ5 and IQ6
IQ5: ref. 7610257
IQ6: ref. 7609529



MANUAL TROLLEY

Manual Trolley IQ5
ref. 2908117
ref.



MANUAL TROLLEY

Manual loading Trolley IQ4
ref. 2928117



AUTOMATIC TROLLEY

Automatic loading table.
ref. 7609901



AUTOMATIC TROLLEY

Automatic unloading table.
ref. 7609902

TROLLEYS FOR EVERY DEMAND

KEN HYGIENE SYSTEMS has a very wide range of logistics solutions. It extends from the simple to the fully automated logistics solution, with robotics and related buffer stations, monitoring screens and terminal tablets.

The manual transport trolley. This is connected to the machine in front of the door and locks itself firmly to the machine. It can be loosened and released with a single hand and is very user-friendly. .

The electronically adjustable transport trolley. This works more or less the same way as the manual trolley, but can be adjusted in height. It has several pre-programmed fix heights or can be easily and quickly programmed on site. The height adjustment is electronic and highly ergonomic.

Malones Hospital Services Pty Ltd.
24 Tathra Street West Gosford, 2250, NSW
Phone: +61 (02) 4323 9731
sales@malones.com.au - www.malones.com.au



TECHNICAL INFORMATION

Healthcare dimensional sketches.
Scan the QR code.

KEN HYGIENE SYSTEMS A/S

Bøgebjergvej 60
DK-5672 Broby
Tlf. +45 62 63 10 91
Fax +45 62 63 16 07
ken@ken.dk
www.ken.dk